

Deployment Options

ABOUT AVIRTEK

AVIRTEK is pioneering innovative autonomic management solutions to proactively and automatically protect the operations of cyber infrastructure resources and their services in order to achieve trustworthy networked services and applications.

PLANNED PRODUCTS

- JUNO10
- AUTONOMIA

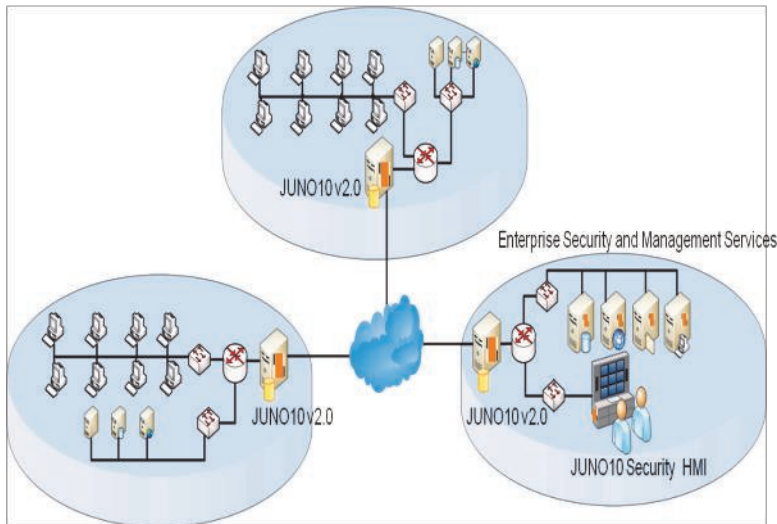
MANAGEMENT TEAM

Salim Hariri , Ph.D
CEO and Chairman
salim.hariri@avirtek.com

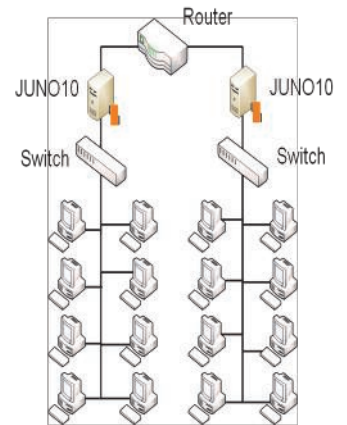
Internationally recognized authority on autonomic computing, cyber security, control and management, and high performance computing, published several books on Autonomic Computing, High Performance Distributed Computing Tools.

For more information visit :
www.avirtek.com

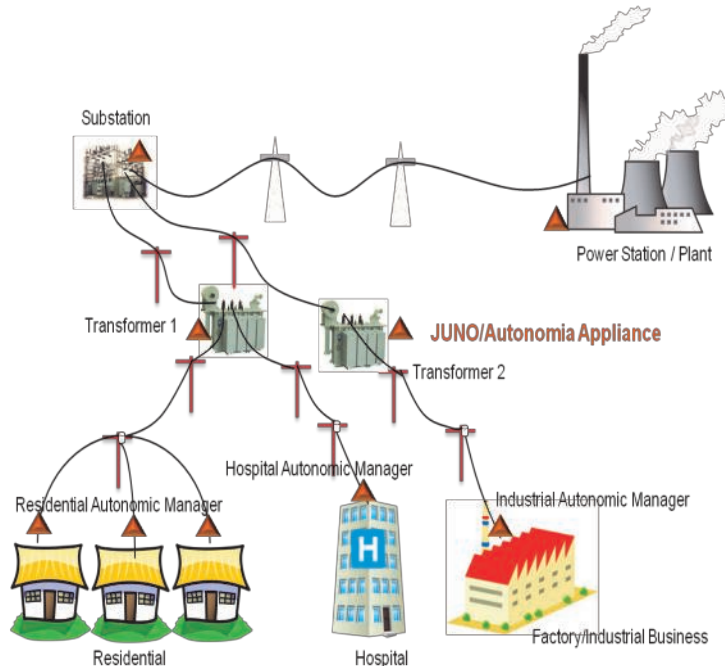
ENTERPRISE DEPLOYMENT



SMALL SIZE NETWORK DEPLOYMENT



SMART GRID DEPLOYMENT



FEATURE SUMMARY

- Anomaly-based Detection
- Multi-layer behavior Analysis
- IP, TCP, UDP, DNS, MAC Layer attack Detection
- SCADA application protection (MODBUS Protocol)
- Automated/Semi-Automated Actions
- Proactive Firewall capabilities
- Dashboard for visualization and management

AVIRTEK
Autonomic Management Solutions

1236 E Grant Rd
Tucson, AZ 85719
Phone: (520) 829-6981
Fax: (520) 829-6931